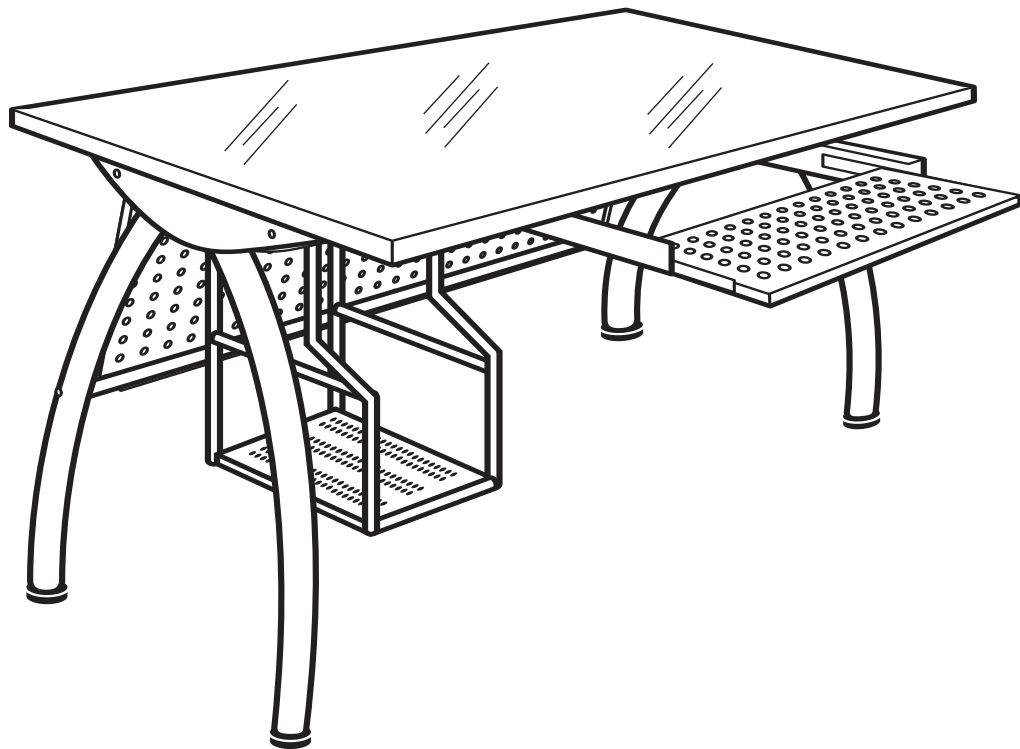


THANK YOU FOR PURCHASING OUR STUDIO RTA

A-LINE COMPUTER DESK



MODEL # 60545

**IF YOU REQUIRE ANY ASSISTANCE WITH ASSEMBLY, PARTS, OR INFORMATION
ON OTHER PRODUCTS, PLEASE VISIT OUR WEBSITE:**

www.studiorta.com

OR CALL OR WRITE THE FOLLOWING:

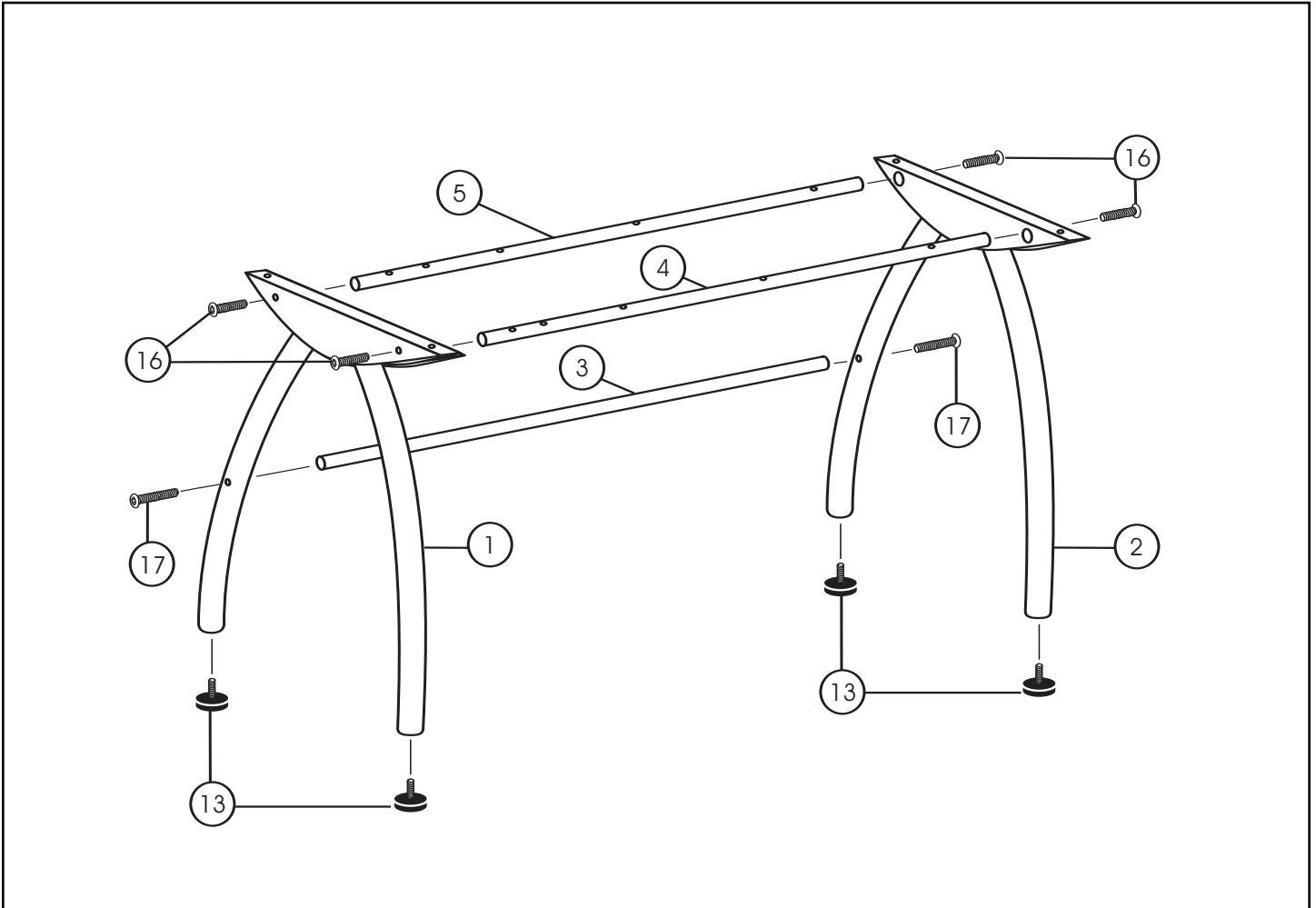


**8700 REX ROAD • PICO RIVERA, CA 90660
(562) 446-2255 • FAX (562) 446-2277
(800) 445-1527**

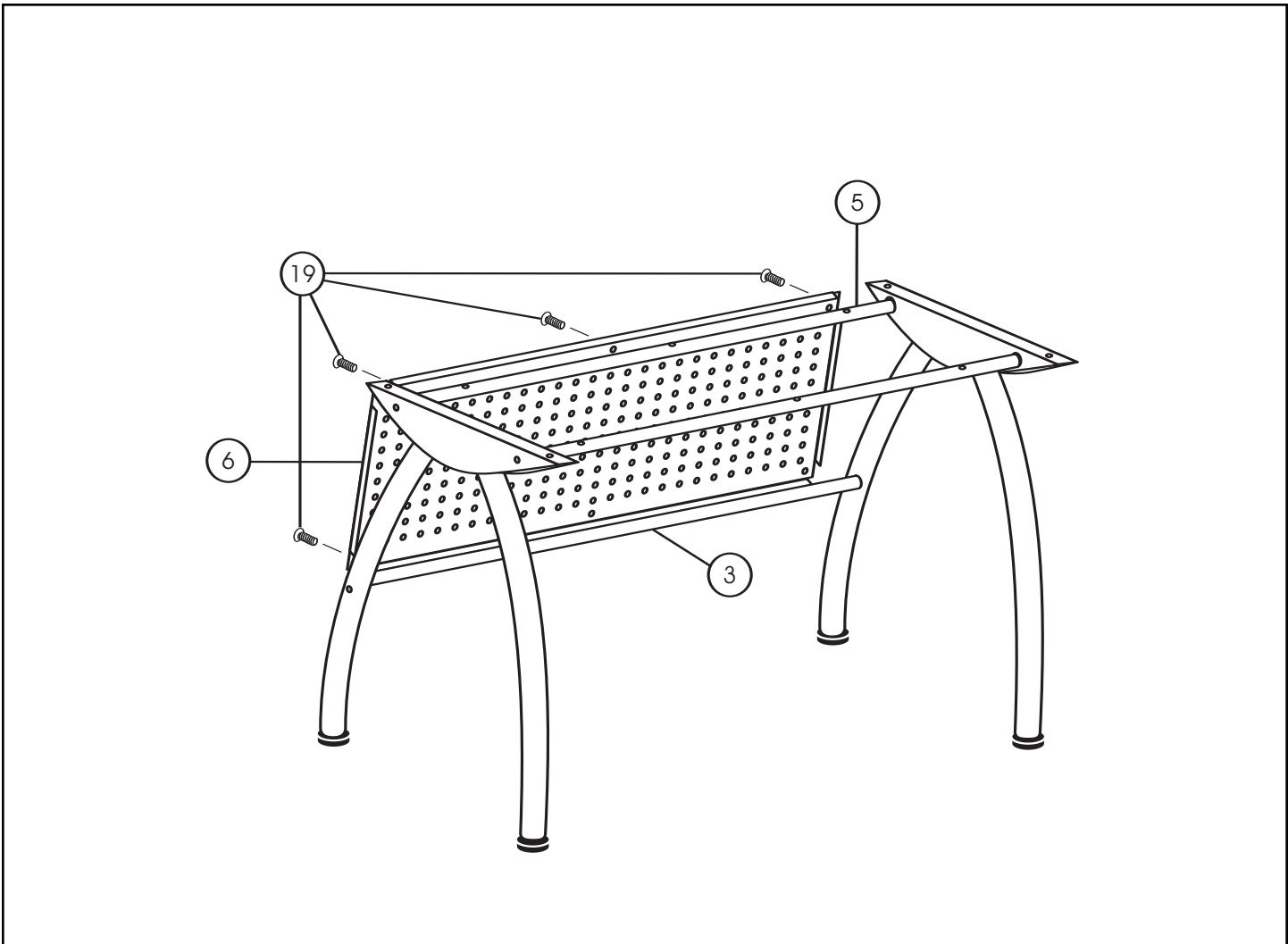
ASSEMBLY INSTRUCTIONS

IMPORTANT:

CAREFULLY UNPACK & IDENTIFY EACH COMPONENT BEFORE ATTEMPTING TO ASSEMBLE. REFER TO PARTS LIST. PLEASE TAKE CARE WHEN ASSEMBLING THE UNIT AND ALWAYS SET THE TABLE TOPS ON A CLEAN, SOFT SURFACE.

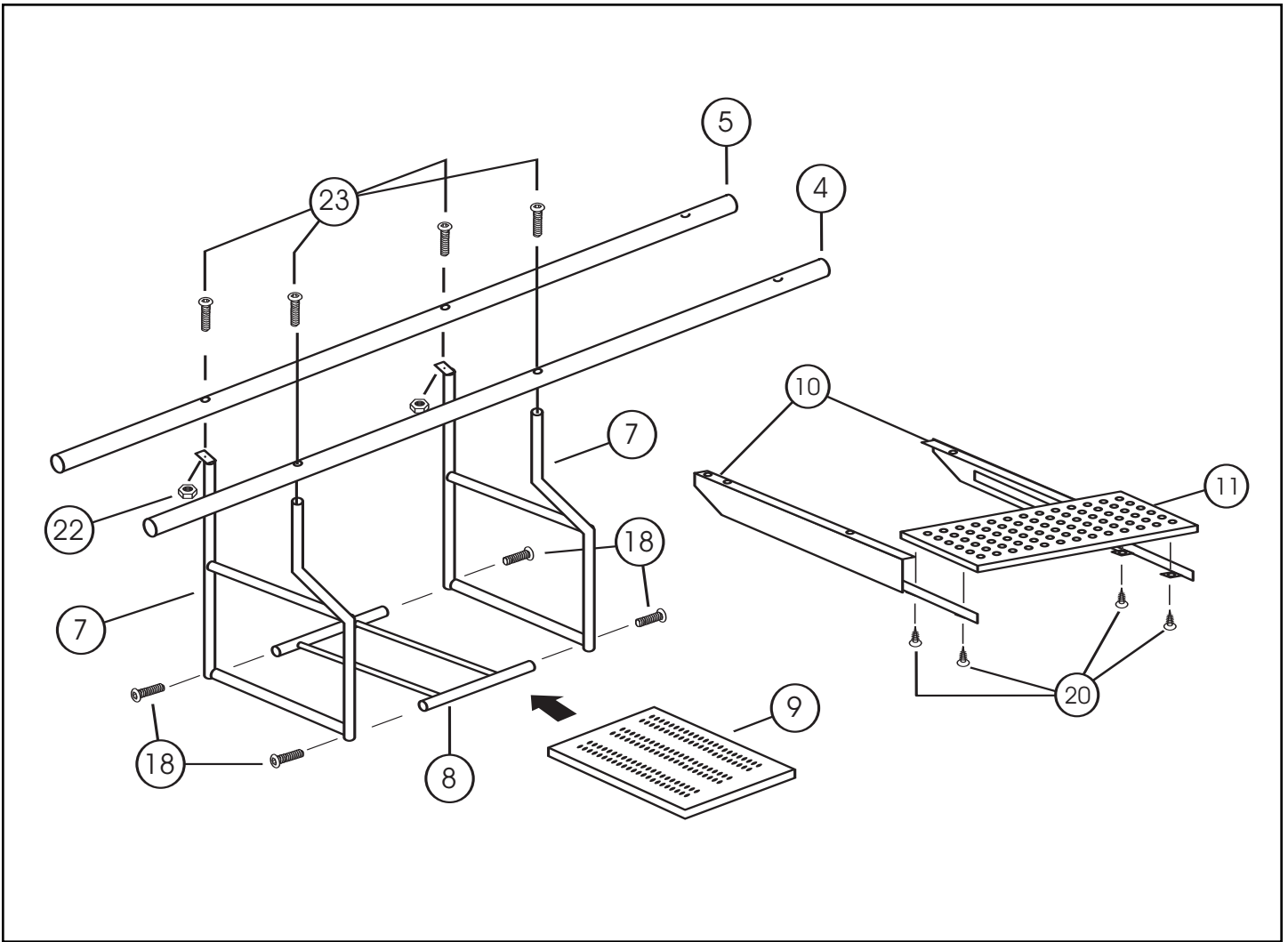


- 1.** ATTACH FRONT TUBE (4) AND REAR TUBE (5) TO LEFT DESK FRAME (1) AND RIGHT DESK FRAME (2) USING ALLEN BOLTS (16). ATTACH BOTTOM TUBE (3) TO LEFT DESK FRAME (1) USING ALLEN BOLTS (17). ATTACH RIGHT DESK FRAME (2) USING SAME PROCEDURE. DO NOT FULLY TIGHTEN BOLTS. THREAD FLOOR LEVELERS (13) INTO BOTTOM OF EACH DESK FRAME (1 & 2).



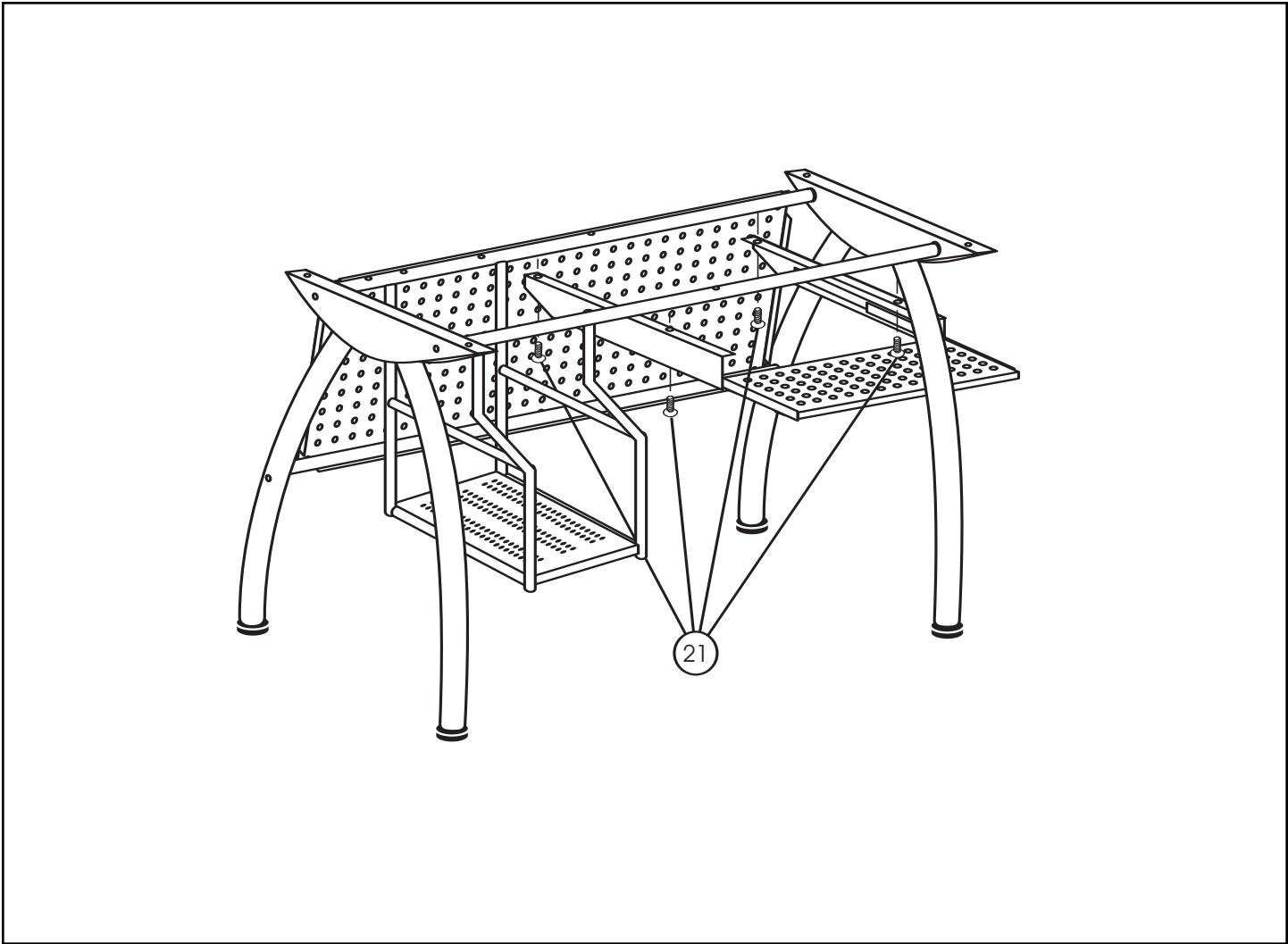
2.

ATTACH PRIVACY PANEL (6) TO BOTTOM TUBE (3) AND REAR TUBE (5) USING ALLEN BOLTS (19).



3.
ATTACH CPU HOLDER UPRIGHTS (7) TO FRONT AND BACK TUBE (4) AND (5) USING ALLEN BOLTS (23) AND NUTS (22). ATTACH CPU BASE (8) TO CPU HOLDER UPRIGHTS USING ALLEN BOLTS (18). ATTACH CPU HOLDER SHELF (9) TO CPU BASE (8) AS SHOWN.

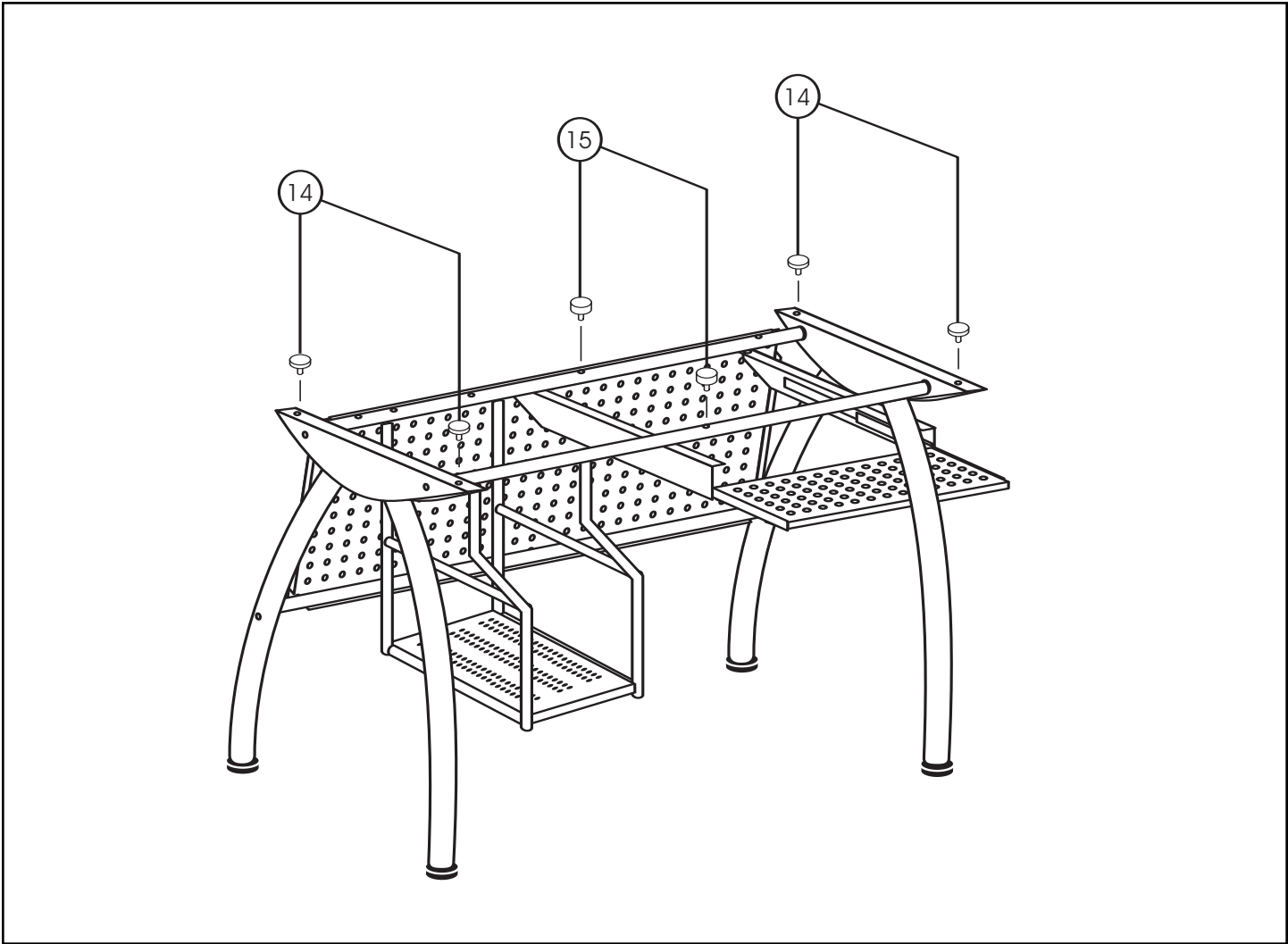
ATTACH KEYBOARD SHELF (11) TO KEYBOARD SHELF SLIDERS (10) USING SCREWS (20).



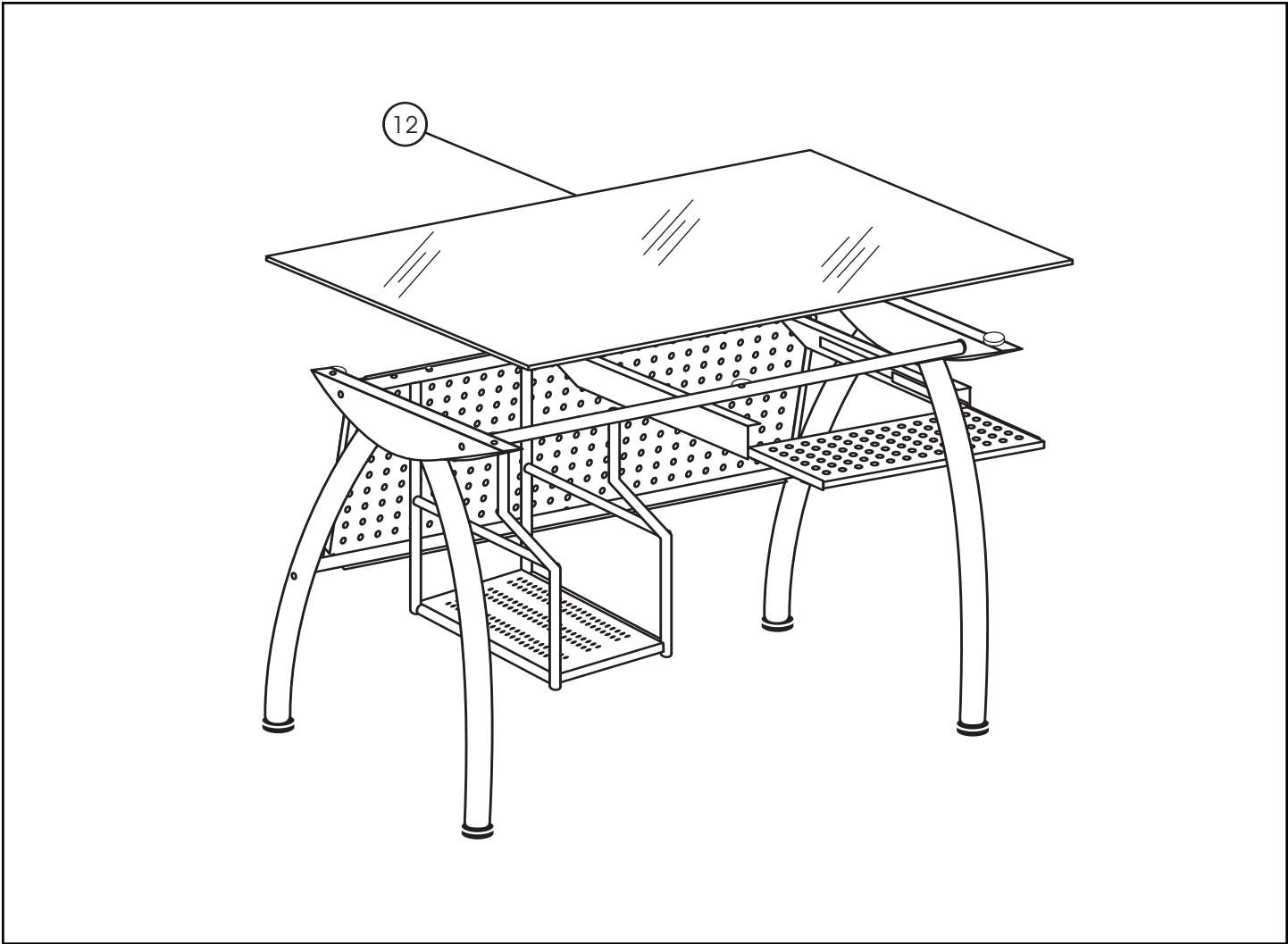
4.

ATTACH KEYBOARD SHELF ASSEMBLY TO FRONT AND REAR TUBES USING ALLEN BOLT (21).

TIGHTEN ALL ALLEN BOLTS THAT ATTACH TO THE LEFT AND RIGHT DESK FRAMES.




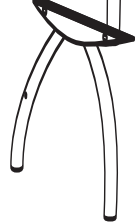



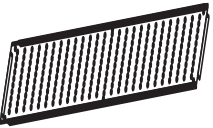
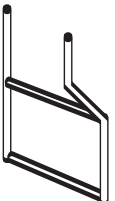

5.
INSERT SHORT TABLE TOP SPACERS (14) INTO HOLES ON MAIN DESK FRAMES. INSERT TALL TABLE TOP SPACERS (15) INTO HOLES IN FRONT AND REAR TUBES.



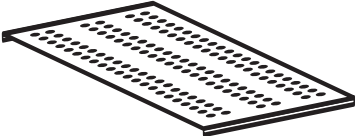
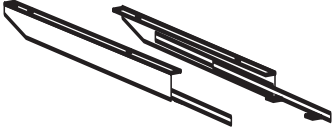





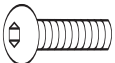
6.

CAREFULLY PLACE GLASS TABLE TOP (12) ONTO PLASTIC SPACERS.

PARTS LIST

DESCRIPTION	QUANTITY	
1. LEFT DESK FRAME	1	
2. RIGHT DESK FRAME	1	
3. BOTTOM TUBE	1	
4. FRONT TUBE (WITH HOLES IN 1 DIRECTION)	1	
5. BACK TUBE (WITH HOLES IN 2 DIRECTIONS)	1	
6. PRIVACY PANEL	1	
7. CPU HOLDER UPRIGHT	2	
8. CPU HOLDER BASE	1	

PARTS LIST

DESCRIPTION	QUANTITY	
9. CPU HOLDER SHELF	1	
10. KEYBOARD SHELF SLIDER	1 SET	
11. KEYBOARD SHELF	1	
12. TABLE TOP	1	
13. FLOOR LEVELER	4	
14. SHORT GLASS TOP SPACER	4	
15. TALL GLASS TOP SPACER	2	
16. ALLEN BOLT (5/16" X 1")	4	

PARTS LIST

DESCRIPTION

QUANTITY

17. ALLEN BOLT - (5/16" X 3")

2



18. ALLEN BOLT (1/4" X 1")

4



19. ALLEN BOLT (1/4" X 12 MM)

6



20. SCREW (4" X 12 MM)

4



21. ALLEN BOLT (3/16" X 12 MM)

4



22. NUT

2



23. CPU ALLEN BOLT

4



LIMITED WARRANTY

Studio RTA warrants to the Original Purchaser that this product will be free from defects in its material and workmanship as described below. The company will repair or replace, at its option, without charge to the original purchaser only, defective products or parts during the following warranty periods. Ten (10) years or (Thirty (30) days on closeouts and discounted products) while owned by the Original Purchaser... Replacement parts can only be supplied if parts are available. Items out of production may be unavailable. This warranty shall be effective for the applicable time period beginning from date of purchase as shown on your original sales receipt. This warranty is your sole remedy for product defects and excludes defects due to or arising in connection with product abuse or misuse, use modification of, or attachments to the product, and products or parts not used, maintained, or installed in accordance with the company's installation, maintenance and/or applicable guidelines. There are no other warranties, express or implied other than those specifically described, including without limitation any implied warranty of merchantability or of fitness for a particular purpose. The company will not be responsible for incidental or consequential damages. Some states do not allow the exclusion or limitation of incidental or consequential damages, so the above limitations or exclusions may not apply to you. This warranty gives you specific legal rights and you may also have other rights which may vary from state to state. The company will advise you of the procedure to follow in making warranty claims. Telephone Studio RTA at 1-800-445-1527 to explain the defect and give your name, address, and telephone number. Please be prepared with the model number of the product, date and place of purchase.

A-LINE COMPUTER DESK